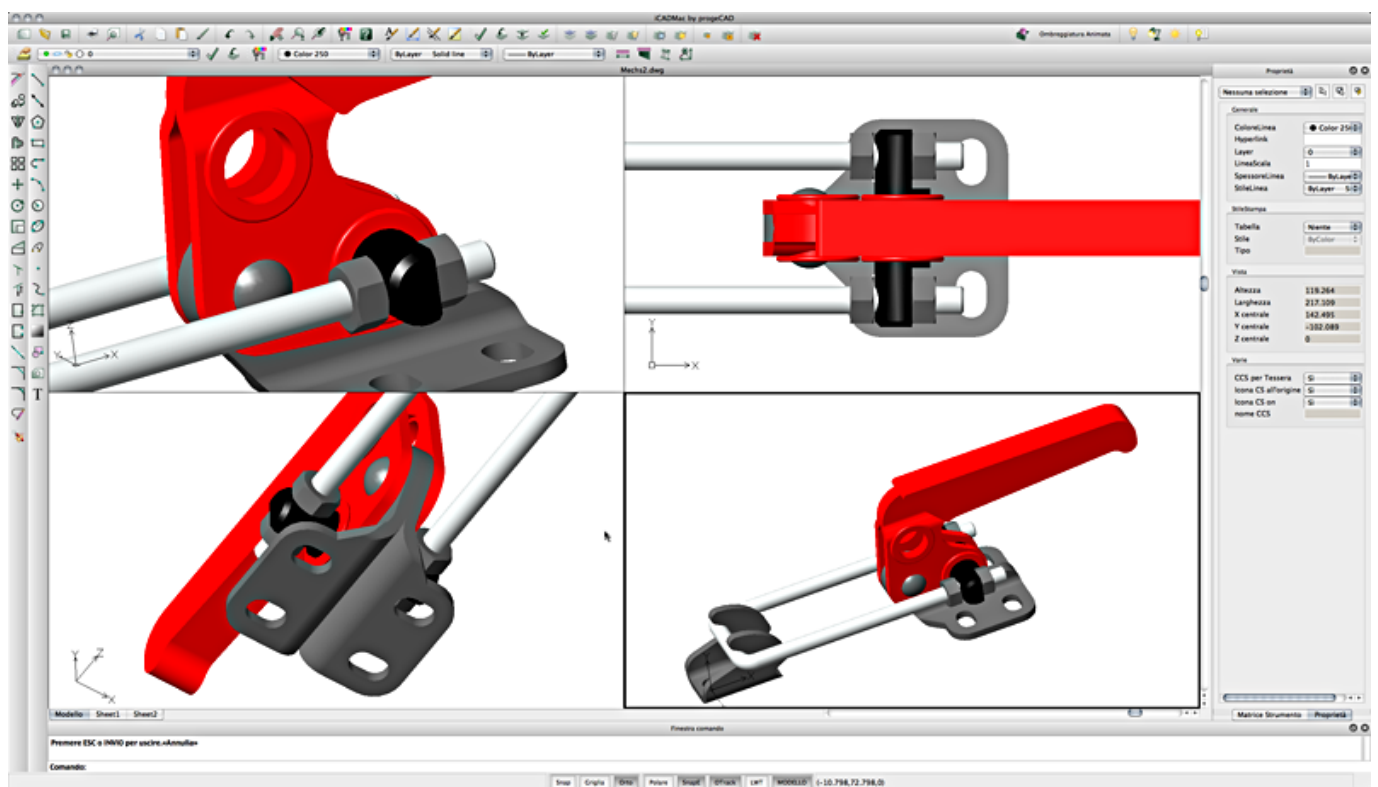


# Free Download



[Free Cad Viewing Software For Mac](#)



[Free Cad Viewing Software For Mac](#)

---

**Free Download**



[http://download.cnet.com/Sweet-Home-3D/3000-2191\\_4-10893378.html](http://download.cnet.com/Sweet-Home-3D/3000-2191_4-10893378.html) Screenshot If you are an engineer and want to design any jigs and fixtures, then the main software that you will have to use is CAD CAM.. User reviews: 1 Simple, easy to use and works really well they provide li\_x\_nks to some really good 3D furniture etc 2.. · It enables you to take feedback from professionals about your designs Pros of Sweet Home 3D · One of the best things about this software is that it has drag and drop features for many things like doors, furniture, windows etc.

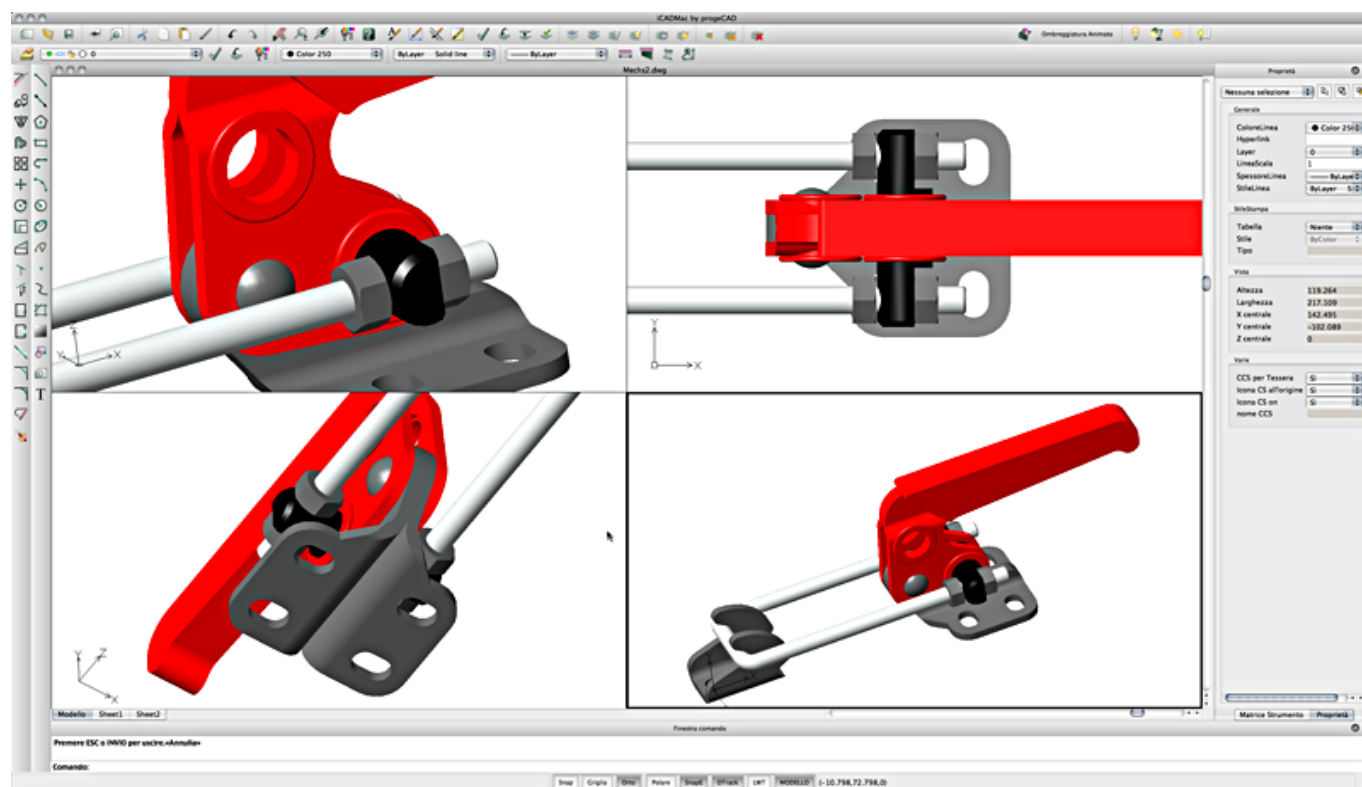
1. [viewing software](#)
2. [viewing software list](#)
3. [photo viewing software](#)

Love what you can do with a simple drawing Don't know how the software calculate the length of a line but again, I haven't used it enough 3.. Part 13d Cad software, free downloadBest Cad Program For MacFree Cad Viewing Software For Mac Windows 10Cad Software For MacFreeCAD is a multiplatform (Windows, Mac and Linux), highly customizable and extensible software.. · Using this software, you can also import and modify ob\_x\_jects Cons of Sweet Home 3D · The one negative point about it is that it is a little sluggish to use when using large files.. Some of the CNC Cam Software are available for free Related:FreeMillThis free CAM software created by MecSoft Corporation is a programming software for CNC mills.

## viewing software

viewing software, viewing software details, viewing software list, viewing software on mac, photo viewing software, video viewing software, image viewing software, dahua remote viewing software, remote viewing software, cctv viewing software, pdf viewing software, stock viewing software [Pdf Reader Mac Free Download](#)

View, create, edit, and share CAD drawings on your mobile device with the AutoCAD mobile app. [Skullgirls: Robo-Fortune](#)



[oxps to xps converter software download free for windows 10 education 32](#)

---

## viewing software list

[Font Helvetica Neue Ots Download Movies](#)

These 3D CAD Software can be used easily for that purpose and will have enhanced tools to make the process easier. [Free Download Adobe After Effect Cs4 Portable Indowebster](#)

## photo viewing software

[Mac Os X Solid State Drive Trim](#)

The milling module is used for programming mills and routers and any number of codes can be done.. · It allows you to do both 3D and 2D rendering and offers drag and drop features.. Works for both US and Metric which is a BIG plus Once you get the hang of it, it's easy to use and scale the image.. You will need certain programming software that will be able to load these files and mill according to it.. iTunes app store Google Play View files for free See supported file types and features, and find the right viewer for you. 773a7aa168 [download Www Outlookexpress](#)

773a7aa168

[Crestron Download For Mac](#)